



**AUTOMOTIVE  
RESISTIVE DEVICES**

# **HANS-S SERIES**

**NOISE SUPPRESSOR RESISTORS**

- Noise suppressor wire wound resistor
- Reduces RFI during electrical discharges on petrol engines in cars and in scooters / motorcycles.
- ROHS compliant.

1K0  
1K125  
2K0  
5K0  
7K5  
10K

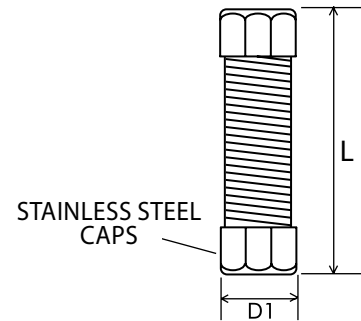
(All in tolerances of 20%, 10% & 5%)





AUTOMOTIVE  
RESISTIVE  
DEVICES  
**HANS-S**

## MECHANICAL SPECIFICATION



HTR Type	Resistance Value	Length Range		D1 (+/-0.1) (mm)	Typical Inductance
		L (+/-0.3) Min.	L (+/-0.3) Max.		
NSS 1K0	1K0	11.0	24.0	4.35	5 to 56 $\mu$ H (at freq. 1 Mhz)
NSS 1K125	1K125	11.0	24.0	4.35	
NSS 2K0	2K0	11.0	24.0	4.35	
NSS 5K0	5K0	11.0	24.0	4.35	
NSS 7K5	7K5	15.0	24.0	4.35	
NSS 10K	10K	18.0	24.0	4.35	

“\*” Please specify length required

## ELECTRICAL SPECIFICATION

Nominal Value	:	NSS 1K0 - 1K0 NSS 1K125 - 1K125 NSS 2K0 - 2K0 NSS 5K0 - 5K0 NSS 7K5 - 7K5 NSS 10K - 10K
Tolerance	:	$\pm 20\%$ / $\pm 10\%$ / $\pm 5\%$

## 2. PERFORMANCE REQUIREMENTS

PARAMETER	REQUIREMENTS
<b>Short Term Overload</b> : 5 x Rated Power for 5 sec	$\Delta R$ – MAX 2%
<b>Operating Temperature Range</b>	-40°C to 220°C
<b>Temperature Co-efficient</b> (Typical)	$\pm 150$ ppm / °C
<b>High Voltage Pulses At High Frequency</b> : (15 kv to 20 kv continuous pulses – 0.1 sec ON & 0.1 sec OFF in series with spark plug – duration 3 hrs.)	$\Delta R$ – MAX 1% (Typical)

## TYPICAL APPLICATIONS :

The HANS-S series has been developed to be introduced in automotive ignition systems to reduce Radio Frequency Interference (RFI), which are caused during electrical discharges on petrol engines in both cars and motorcycles. In order to meet the current legislation in force to reduce these disturbances, the introduction of these Noise Suppressor resistors in the rotor of the distributor or the spark plug leads can ensure compliance.

**MARKING** : NO MARKING

**PACKING** : 2000 pcs / small box of approx size 310 mm x 205 mm x 95 mm.

## ORDERING INFORMATION

Series	HTR Type	Length	Tolerance
HANS-S	NSS 5K0*	18.0	20% (M)