



WIRE WOUND RESISTORS
SILICONE/CEMENT COATED TYPE

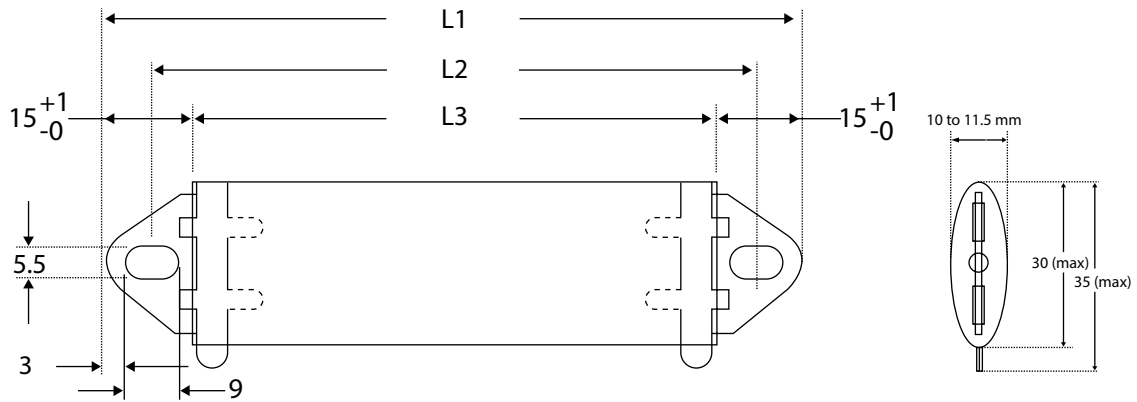
HFO
SERIES
PRECISION POWER
• 40 W to 125 W
• R 10 to 33 K





WIRE WOUND
RESISTORS
SILICONE/
COATED TYPE
HFO

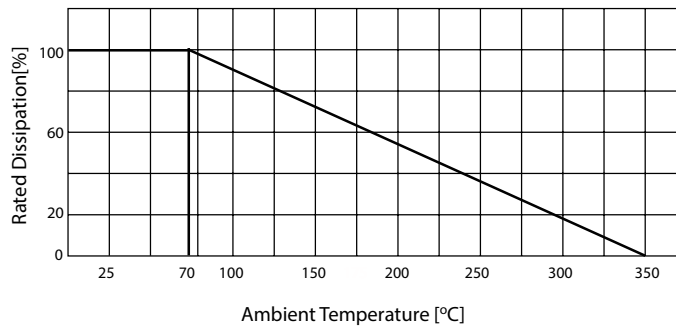
PHYSICAL CONFIGURATION



HTR TYPE	POWER RATING	DIMENSIONS (mm)			RESISTANCE RANGE	TYPICAL WT. PER PC (Gms)
		L1 (max)	L2±2	L3±2		
HFO 30W*	30W	67.0	47.0	32.0	R 10 to 5 K	20
HFO 40W*	40W	85.0	67.0	51.0	R 10 to 8 K	33
HFO 80W*	80W	125.0	107.0	90.0	R 10 to 18 K	50
HFO 100W*	100W	155.0	137.0	120.0	R 10 to 27 K	62
HFO 125W*	125W	188.0	170.0	153.0	R 10 to 33 K	75
HFO 200W*	200W	236.0	200.0	200.0	R 10 to 40 K	100

- Notes : 1. For non-inductive resistors, please prefix 'N' before the HTR type eg. NHFO
 2. For impulse type, please suffix HTR type with 'I' eg. HFOI

DERATING CURVE





WIRE WOUND
RESISTORS
SILICONE/
COATED TYPE
HFO

ELECTRICAL SPECIFICATION

PARAMETER	REQUIREMENTS
Power Rating (Rated Ambient Temperature)	Full power dissipation at upto 70°C and linearly derated down to zero at 350°C. [See Derating Curve above]
Temperature Range	- 40° C to + 250° C (with suitable de-rating as per curve shown)
Resistance Tolerance Available	± 10% (K) / ± 5% (J)
Voltage Rating / Limiting Voltage / Max. Working Voltage	$\sqrt{P \times R}$
Insulation Resistance (Test Method No. 302 of MIL 202F)	≥1000 MΩ
Short Time Overload (10 X Rated power for 5 sec.)	Max. ΔR ± (2% + R05)
Temperature Co-efficient of Resistance (Typical)	± 200 PPM / °C
Damp Heat (Steady State) / Humidity (70° C at 95% R.H. for 250 hours)	ΔR ± (3% + R05)
Solvent Resistance (IPA for 60 secs. ± 10 secs.)	No effect on coating / marking

PRINTING / MARKING :

HTR logo, type, value, tolerance & date code

FLAMMABILITY :

The resistor coating shall not emit fire / flame which even if it occurs will self extinguish within seconds.

PACKING :

TYPE / VALUE / TOL.	QUANTITY	SMALL BOX TYPE	SMALL BOX SIZE	PACKING TYPE
HFO 40W* / NHFO 40W*	30 PCS.	'A' TYPE	200mm X 150mm X 70mm	Bulk Packing
HFO 80W* / NHFO 80W*	25 PCS.	'A' TYPE	200mm X 150mm X 70mm	Bulk Packing
HFO 100W* / NHFO 100W*	20 PCS.	'B' TYPE	295mm X 140mm X 80mm	Bulk Packing
HFO 125W* / NHFO 125W*	20 PCS.	'B' TYPE	295mm X 140mm X 80mm	Bulk Packing

1. For inductance details in non inductive types, please indicate resistance value required.
2. For pulse types please indicate derated pulse requirements.